



G3 G3 G3

UTILITY **ELECTRIC** VEHICLE

WASTE TIPPING COLLECTOR



100% electric
0g of CO²/km



SPECIFICATIONS

- For the vehicle, refer to the chassis sheet
- Payload 500 kg in the container
- Aluminium Container
- Lifted by hydraulic cylinder. Safety device : no return valve and safety stand in upper position
- 2 loading side trap doors lockable in opened position
- 2 brush holders
- Maximum level height for unloading : 1,40m
- Loading height :
 - side loading : 1,40 m (trap door opened)
 - rear loading : 1,70 m
- Capacity from 1,80m³ to 2,30m³





G3 G3 **G3**

WASTE TIPPING COLLECTOR

OPTIONS

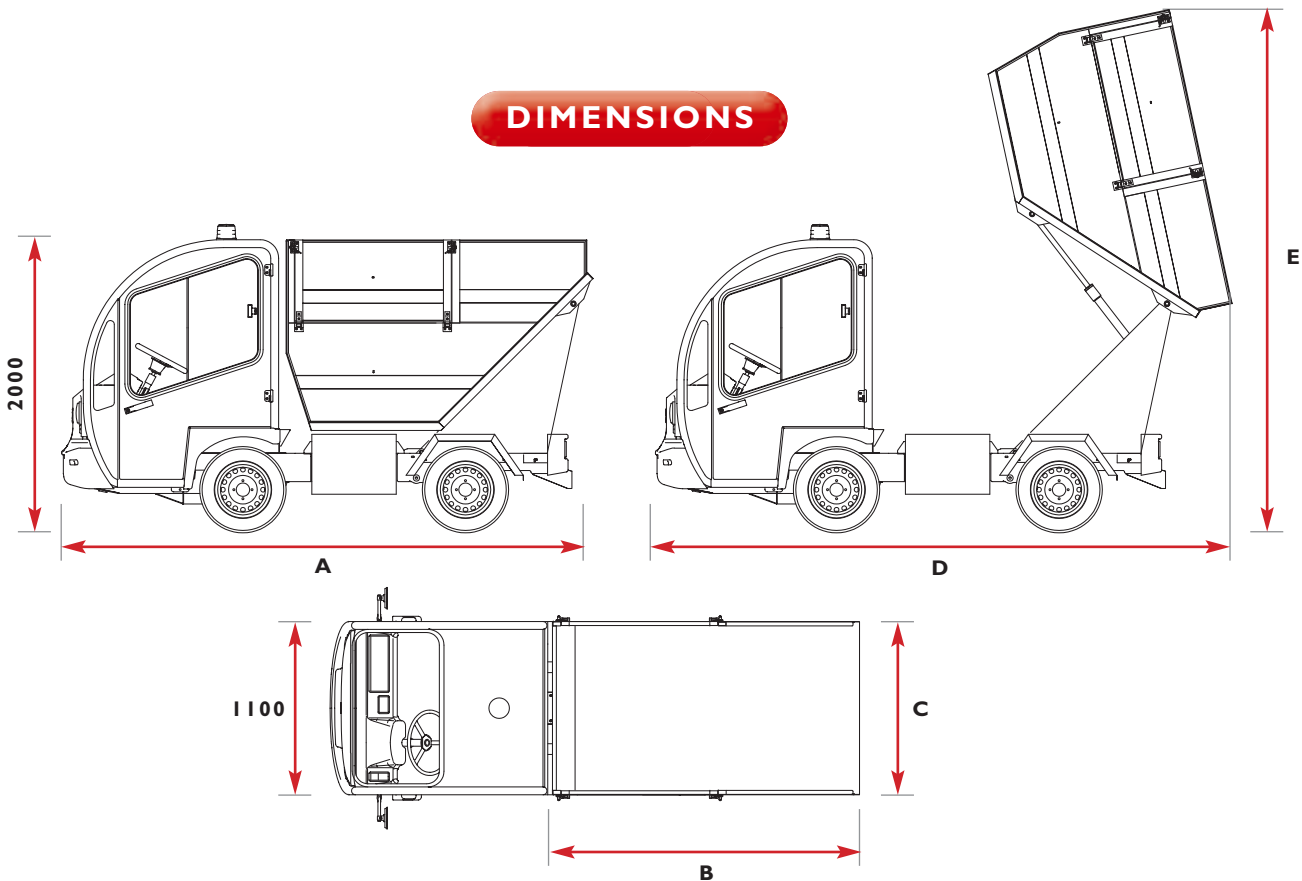


Net above container



Aluminium cover above container

DIMENSIONS



| | Short version G3-S | Long version G3-L |
|--------------------------------|---|---|
| Vehicle | Length (A) : 3 400 mm Length tipped (D) : 3 660 mm Heigth tipped (E) : 3 400 mm | Length (A) : 3 900 mm Length tipped (D) : 4 160 mm Heigth tipped (E) : 3 810 mm |
| Waste tipping collector | Usable length : 1 875 mm Usable width : 1 045 mm Capacity : 1,8 m ³ | Usable length : 2 370 mm Usable width : 1 045 mm Capacity : 2,3 m ³ |

Non-contractual document. Possible modification without prior notice - 09 - BB-UK-01